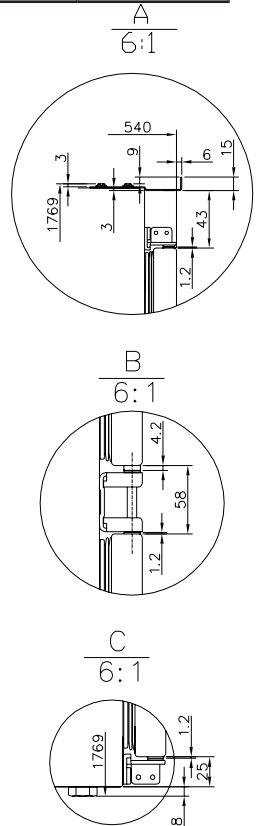
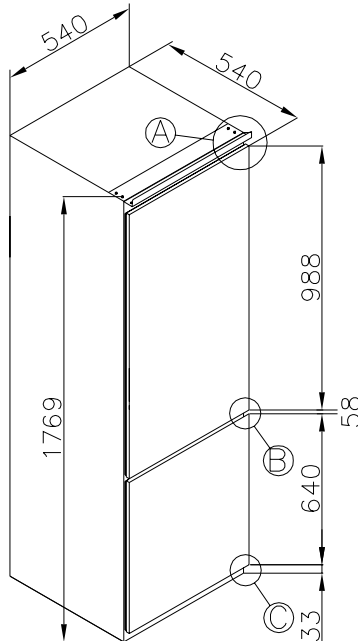
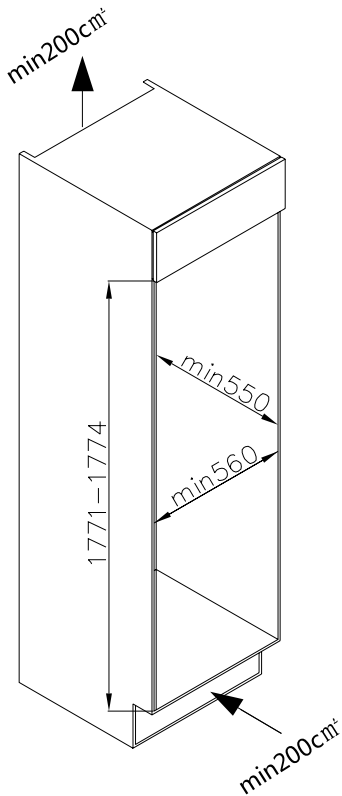
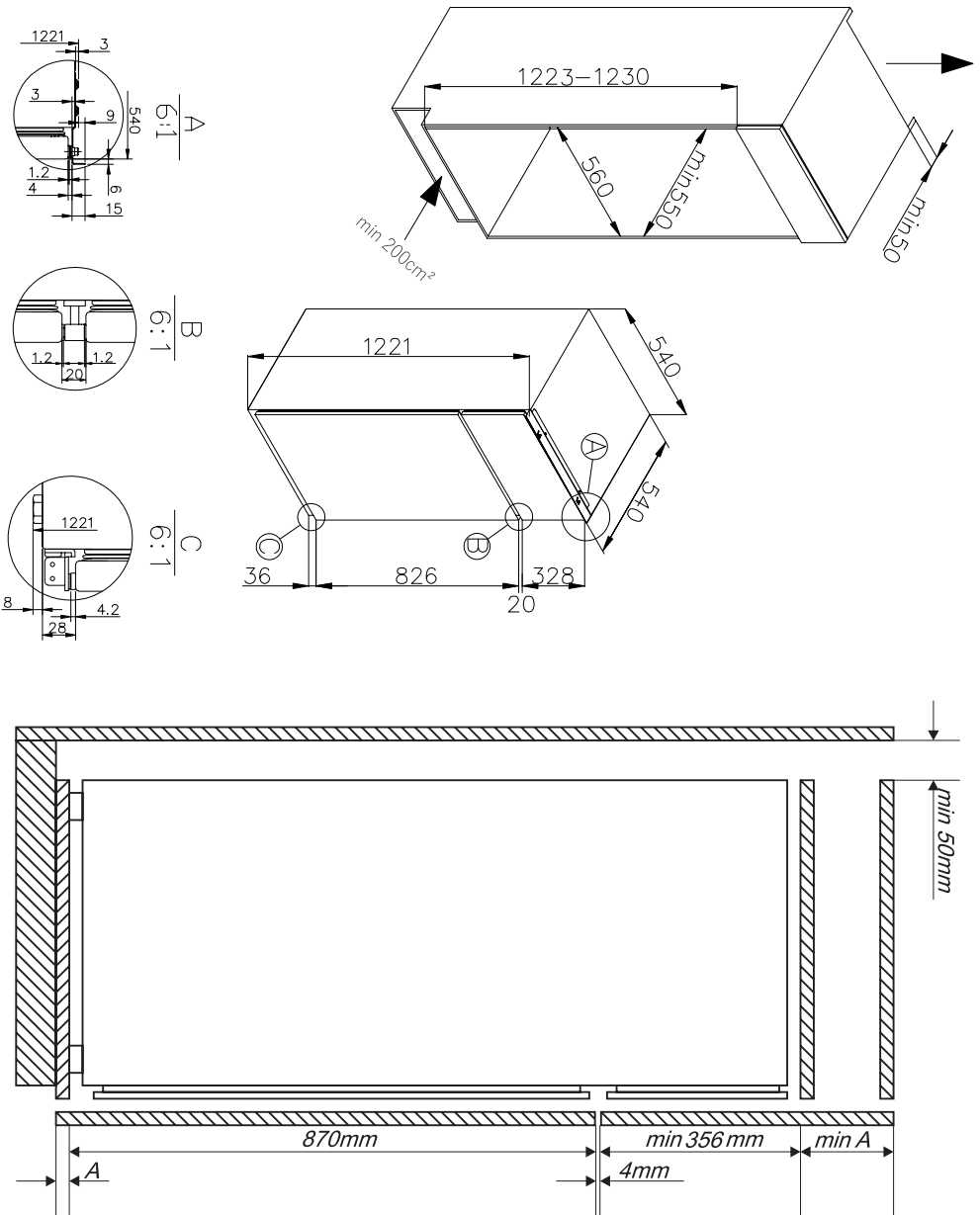


BK313.3FA	EKGC 16178	1170308
BK313.3AA	EKGC 16177	1170310
BK313.3	EKGC 16167	1170187
-	EKGC36167	1170378
BK316.3FA	-	1170448
BK313.3	-	1170276
BK313.3	-	1170218
BK316.3	-	1170457
BK3167.3FA	-	1171175
BK3165.4	-	1171145
BK3165.8K	-	1190448
BK3165.2F	-	1171143
BK318.3V	-	1171248
BK3185.4NFVC	BC 1771 AF	1171253
BK3185.4NFVCAA	BC 1772 BF	1171254
BK319.4DFVC	-	1171420
BK3163FA/2	-	1191919
BK313.3	-	1193155
BK316.3FNA	-	1193159

BK316.3AA	-	1170431
BK316.3FA	-	1170432
BK316.3	-	1170433
BK316.3AA	-	1170447
BK316.3	-	1170446
BK313.3FA	-	1170320
BK316.3FA	-	1170456
BK3167.3	-	1171174
BK3165.4AA	-	1171144
BK3165.4F	-	1171142
BK3185.4DFVCAA	EKGC387600 / BC 1772 AFD	1171247
BK3160.3	-	1171281
	EKGC 387 200	1171403
BK3195.4NFVC		1171456
BK3165.8F STUDIO		1190287
BK3163	-	1190495
BK3163FA	-	1190498
BK3205.8FN STUDIO / EKGC 387 925		1193173

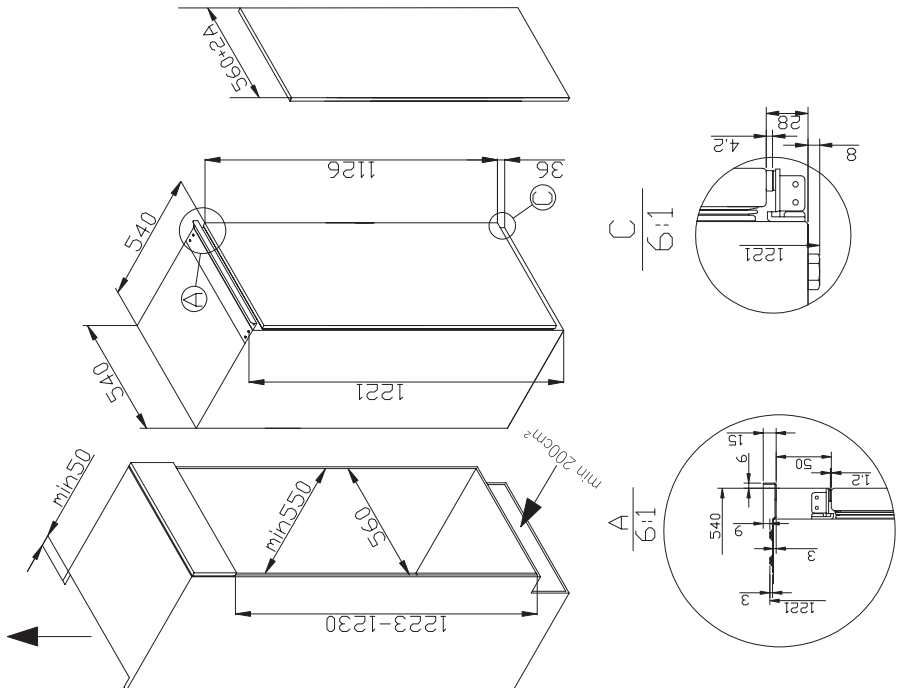
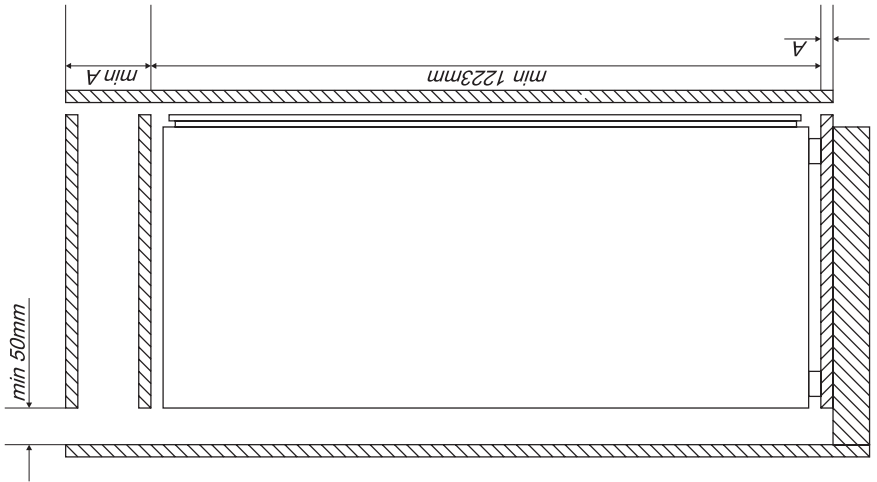


-	EKGC16160	1170389
-	EDTS372900	1171430



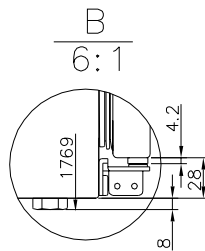
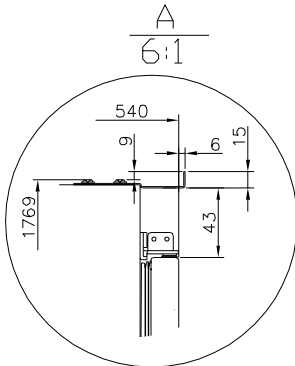
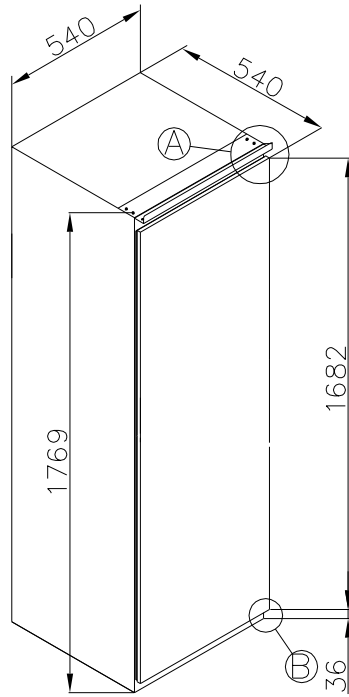
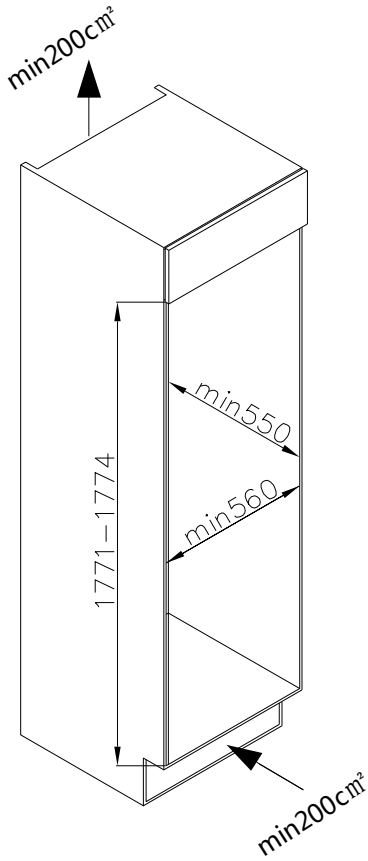
BC203.3	EVKS 16165	1170189
BM203.3	EKS 16164	1170179
BM203.3AA	EKS16174	1170390
EKSS 362 220		1191212
EKSS 362 210		1191210
361756		1191357
BC211.4		1191822

BC203.3AA	EVKS16175	1170391
-	EKS 36164	1170412
-	EVKS 36165	1170413
EVKSS 352 220		1191216
EVKSS 352 210		1191214
361746		1191356
BZ209.4		1191824
BM210.4		1191823

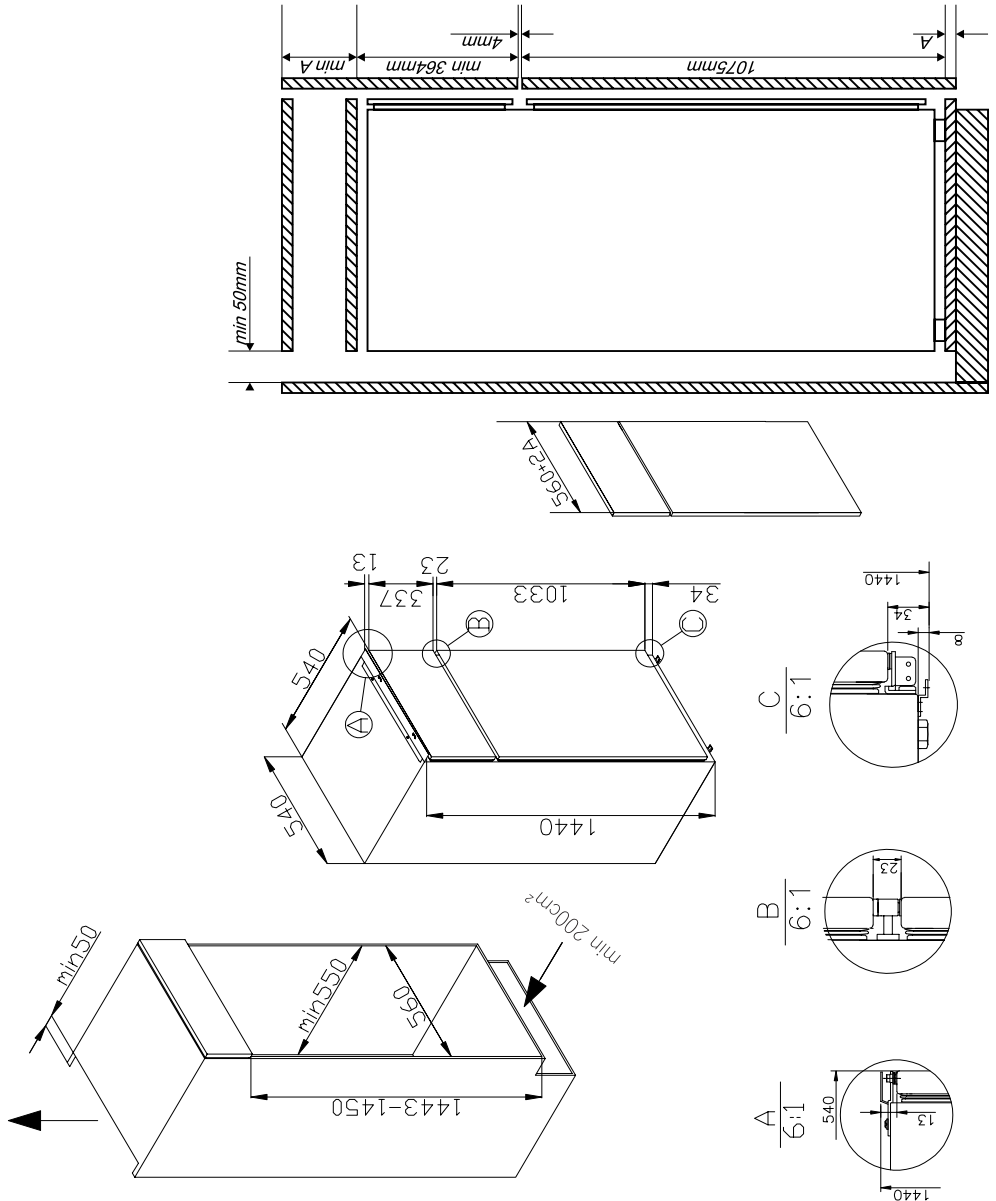


BZ221.3	-	1170213
BC271.3	-	1170214
BC276.3	-	1190718
BZ226.3	-	1190717
EVKSS 357 200	-	1191280

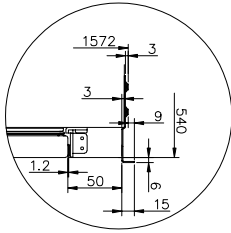
BZ226.3	-	1170453
BC276.3	-	1170452
BC2763	-	1190496
BZ2263	-	1190497
BC2835.4DCV	-	1191821
BZ2385.4DF	-	1191820
UC276.3	-	1193138
FZ226.3	-	1193137
BZ2263/2	-	1193151
BC2763/2	-	1193150



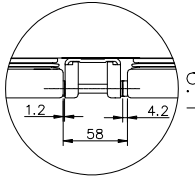
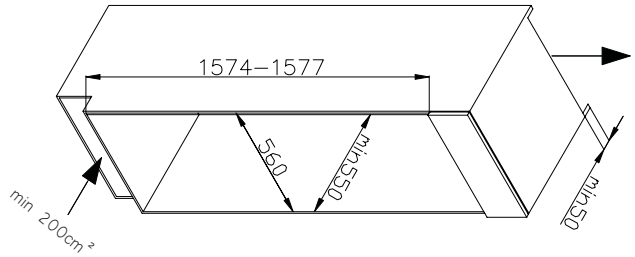
-	EKGC 36166	1170411
BD221.3	EKGC 16166	1170188
-	EDTS374900	1171432
361766	-	1191360



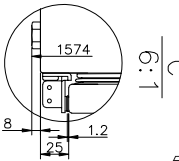
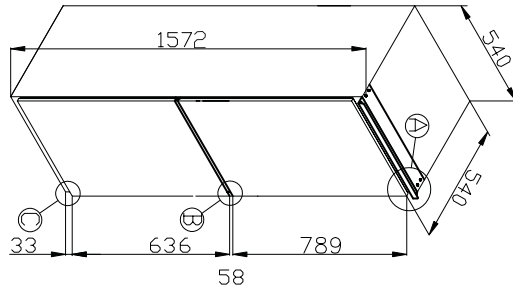
-	EKGC 16169	1170449
BK2665.4	-	1171146
-	EKGCS385900	1171429



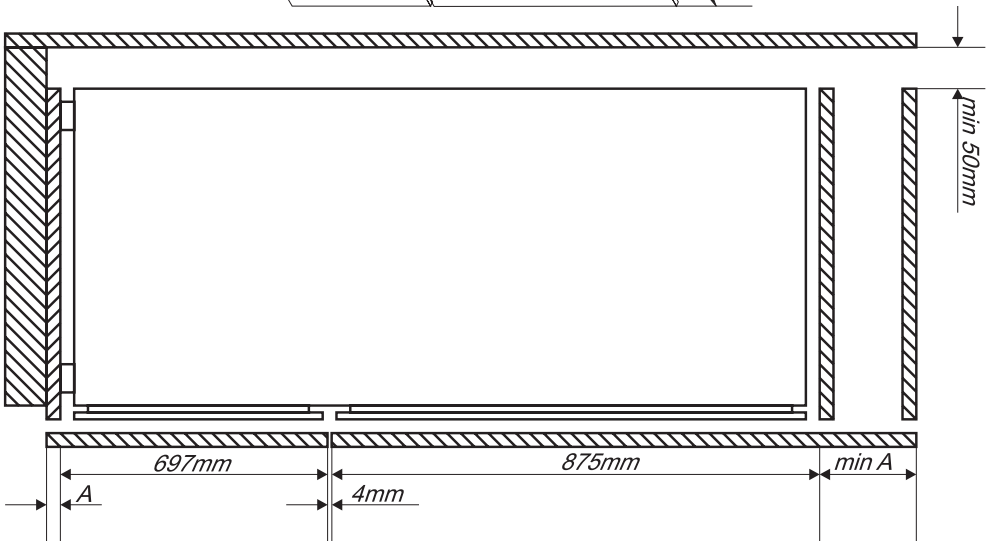
A
6:1



B
6:1

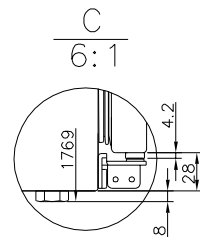
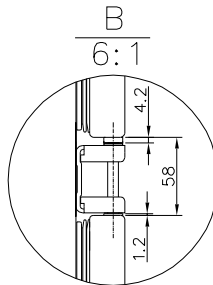
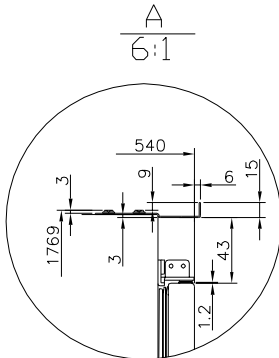
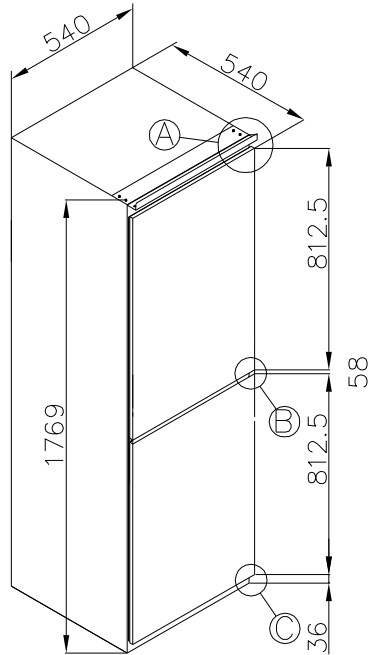
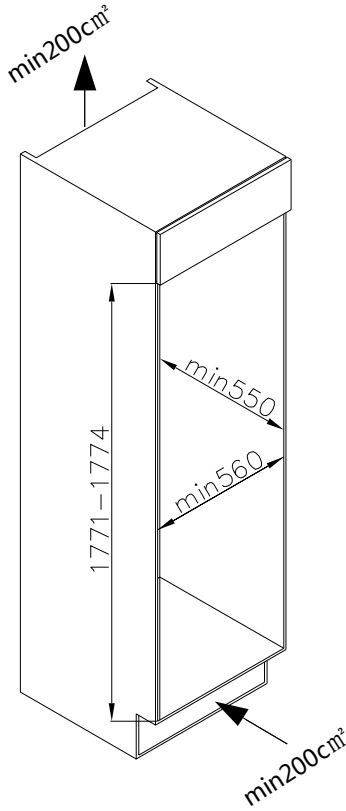


C
6:1



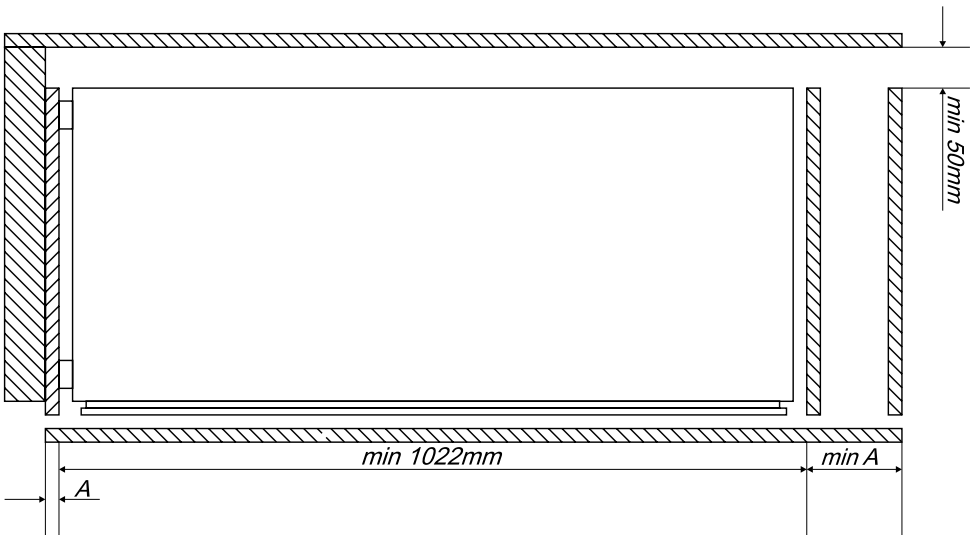
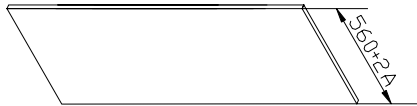
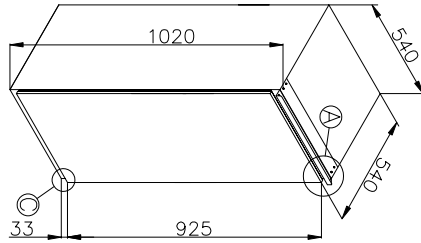
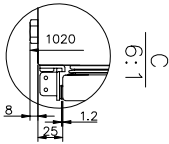
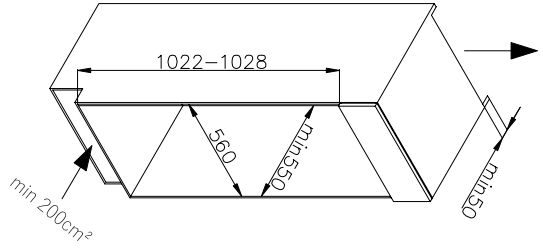
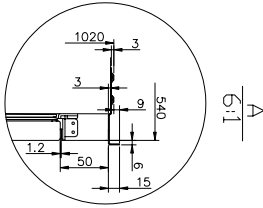
BK309.3 F	-	1170321
BK309.3	-	1170216
BK296.3	-	1170455
BK296.3FA	-	1170454

BK2963	-	1190499
BK2963FA	-	1190493
BK2963FA/2		1191918
BK3005.6DFVCM		1191829



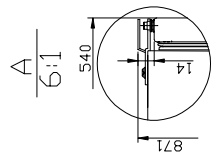
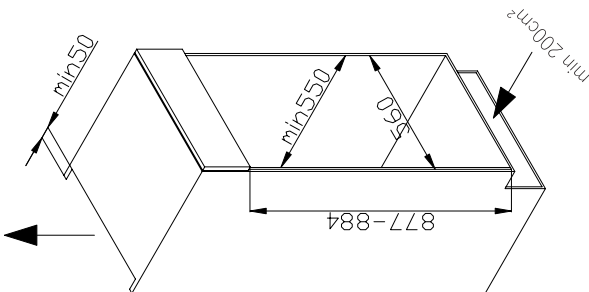
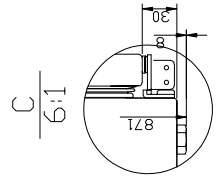
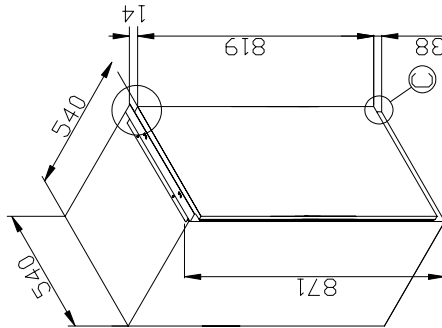
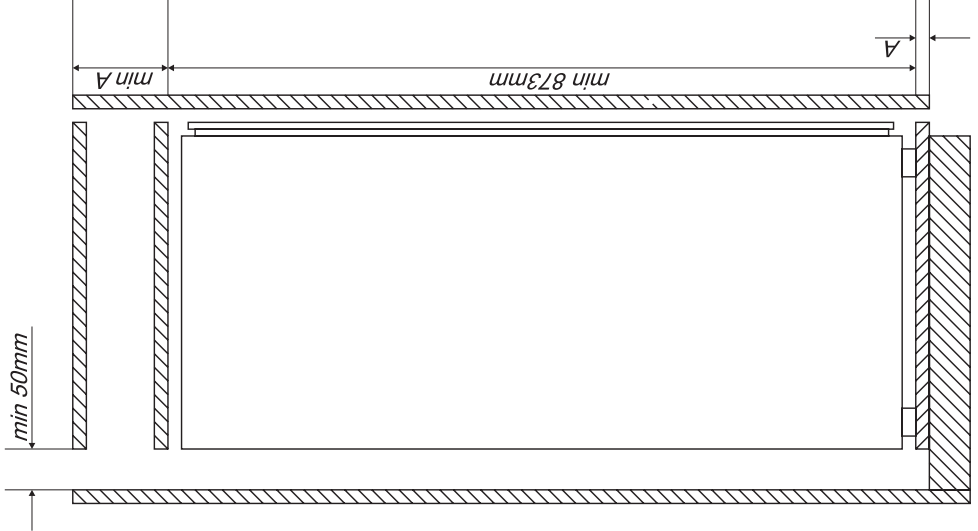
	EVKS 16404	1170409
	EKSS 361 200	1171359

	EVKSS 351 210	1191290
	EKSS 361 210	1191281



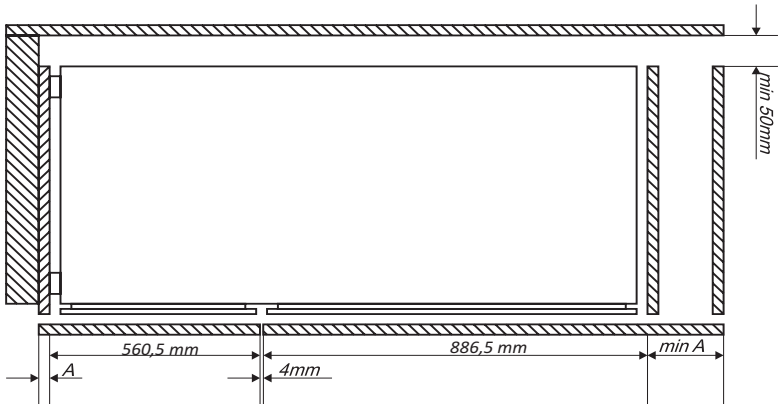
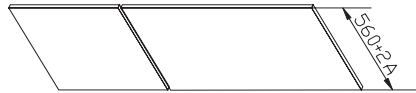
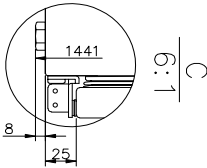
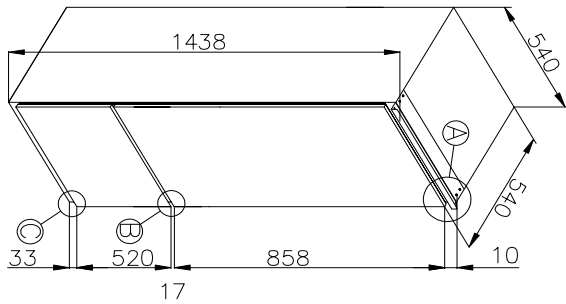
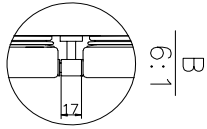
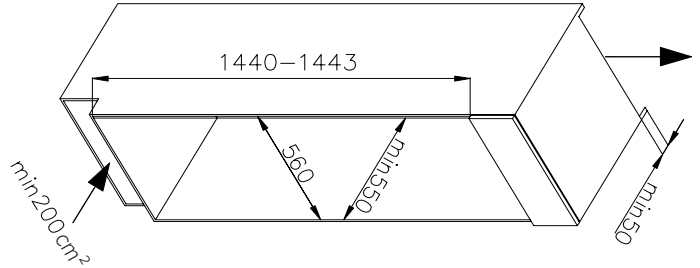
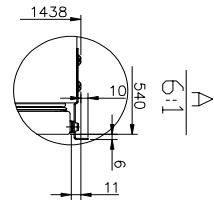
BM130.3	EKS 16161	1170182
BC150.3	EVKS 16162	1170181
BZ130.3	EGS 16163	1170180
BM130.3AA	EKS16171	1170392
BC150.3AA	EVKS16172	1170393
BZ130.3AA	EGS16173	1170394

-	EKS36161	1170379
-	EVKS36162	1170380
BM132.3	-	1170434
361716		1191358
361726		1191359
BZ138.4		1191826
BC137.4		1191825



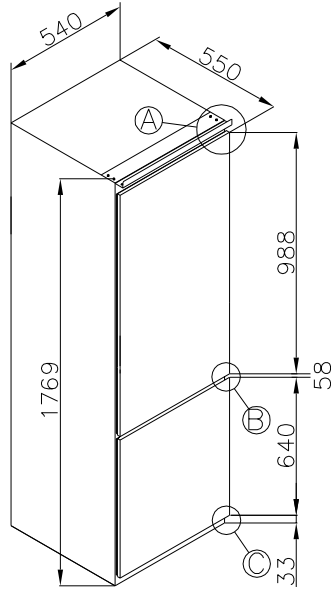
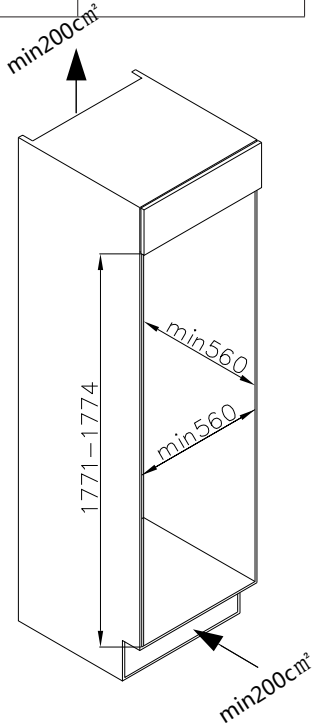
	EKGC 16155	1171112
	EKGC 36155	1171113
BK2265.4		1171147
	EKGC16156	1171186

	361776	1191361
--	--------	---------

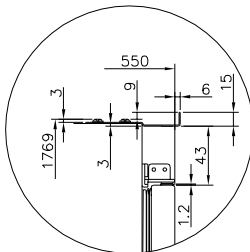


BK3235.4DFOM	1190517
EKGCS 387 950	1190603
EKGCS 387 900	1190621
BK3235.4DFOMAA	1190516
BK3235.4DFOM	1190684
BK3045.4 NF	1190707
BK3055. 6 NFMAA	1190728
BK3055.6 NFM	1190729
BK3055.6NF	1190730
EKGCS 387 920	1190947
BK3085.6NFM STUDIO	1191758

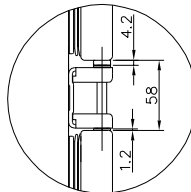
BK333.2U	1191008
BK303.2U	1191009
BK333.0U	1191010
BK303.0U	1191011
BK3265.4U	1191277
BK3265.4UAA	1191276
BK307.0NFZC	1191013
BK306.0N	1191012
BK307.2NFZC	1191014
BK3295.4NFVCZM	1191279
BK318.3FVC	1191298
361786	1191362



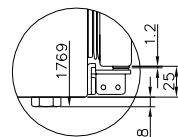
A
6:1



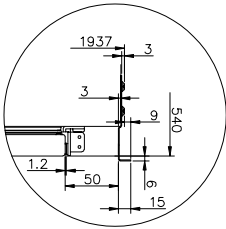
B
6:1



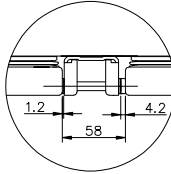
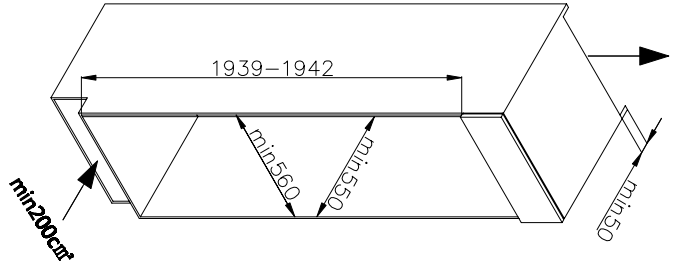
C
6:1



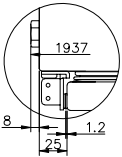
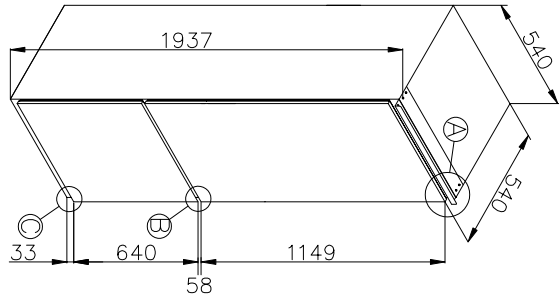
BK347.3NF		1190606
BK347.4NFC		1190713



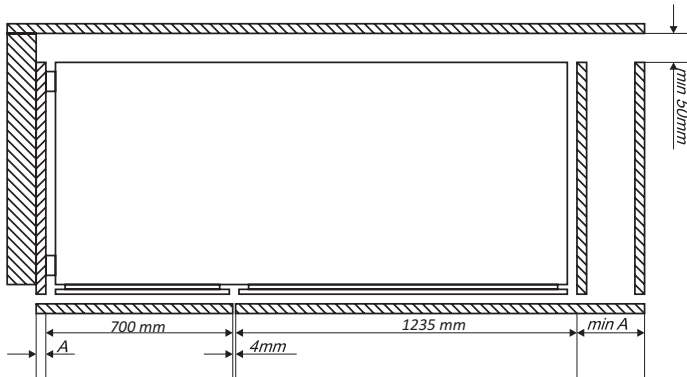
A
6:1







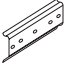






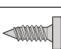


B
6:1



C
6:1



Code	Model														
1170179	BM203.3/EKS16164	14	1	4	1	1	1	~1,3m	2	-	2	2	-	2	4
1170180	BZ130.3/EGS16163	12	1	-	-	-	-	~0,9m	2	-	2	2	-	2	4
1170181	BC150.3/EVKS16162	12	1	-	-	-	-	~0,9m	2	-	2	2	-	2	4
1170182	BM130.3/EKS16161	12	1	-	-	-	-	~0,9m	2	-	2	2	-	2	4
1170187	BK313.3/EKGC16167	20	1	4	1	1	1	~1,8m	4	1	2	4	-	4	8
1170188	BD221.3/EKGC16166	20	1	-	-	-	-	~1,5m	4	-	2	4	-	4	8
1170189	BC203.3/EVKS16165	14	1	4	1	1	1	~1,3m	2	-	2	2	-	2	4
1170213	BZ221.3	20	1	4	1	1	1	~1,8m	4	-	2	4	-	4	8
1170214	BC271.3	20	1	4	1	1	1	~1,8m	4	-	2	4	-	4	8
1170216	BK309.3	20	1	4	1	1	1	~1,8m	4	1	2	4	-	4	8
1170218	BK313.3	20	1	4	1	1	1	~1,8m	4	1	2	4	-	4	8
1170276	BK313.3	20	1	4	1	1	1	~1,8m	4	1	2	4	-	4	8
1170308	BK313.3FA/EKGC16178	20	1	4	1	1	1	~1,8m	4	1	2	4	-	4	8
1170310	BK313.3AA/EKGC16177	20	1	4	1	1	1	~1,8m	4	1	2	4	-	4	8
1170320	BK313.3FA	20	1	4	1	1	1	~1,8m	4	1	2	4	-	4	8
1170321	BK309.3FA	20	1	4	1	1	1	~1,8m	4	1	2	4	-	4	8
1170378	EKGC36167	20	1	4	1	1	1	~1,8m	4	1	2	4	-	4	8
1170379	EKS36161	12	1	-	-	-	-	~0,9m	2	-	2	2	-	2	4
1170380	EVKS36162	12	1	-	-	-	-	~0,9m	2	-	2	2	-	2	4
1170389	EKGC16160	20	1	-	-	-	-	~1,5m	4	-	2	4	-	4	8
1170390	BM203.3AA/EKS16174	14	1	4	1	1	1	~1,3m	2	-	2	2	-	2	4
1170391	BC203.3AA/EVKS16175	14	1	4	1	1	1	~1,3m	2	-	2	2	-	2	4
1170392	BM130.3AA/EKS16171	12	1	-	-	-	-	~0,9m	2	-	2	2	-	2	4
1170393	BC150.3AA/EVKS16172	12	1	-	-	-	-	~0,9m	2	-	2	2	-	2	4
1170394	BZ130.3AA/EGS16173	12	1	-	-	-	-	~0,9m	2	-	2	2	-	2	4
1170409	EVKS 16404	14	1	4	1	1	1	~1m	2	-	2	2	-	2	4
1170411	EKGC 36166	20	1	-	-	-	-	~1,5m	4	-	2	4	-	4	8
1170412	EKS 36164	14	1	4	1	1	1	~1,3m	2	-	2	2	-	2	4
1170413	EVKS 36165	14	1	4	1	1	1	~1,3m	2	-	2	2	-	2	4

1170431	BK316.3AA		20	1	4	1	1	1	~1,8m	4	1	2	4	-	-	4	8
1170432	BK316.3FA		20	1	4	1	1	1	~1,8m	4	1	2	4	-	-	4	8
1170433	BK316.3		20	1	4	1	1	1	~1,8m	4	1	2	4	-	-	4	8
1170434	BM132.3		12	1	-	-	-	-	~0,9m	2	-	2	2	-	-	2	4
1170446	BK316.3		20	1	4	1	1	1	~1,8m	4	1	2	4	-	-	4	8
1170447	BK316.3AA		20	1	4	1	1	1	~1,8m	4	1	2	4	-	-	4	8
1170448	BK316.3FA		20	1	4	1	1	1	~1,8m	4	1	2	4	-	-	4	8
1170449	EKGC 16169		20	1	4	1	1	1	~1,6m	4	1	2	4	-	-	4	8
1170452	BC276.3		20	1	4	1	1	1	~1,8m	4	-	2	4	-	-	4	8
1170453	BZ226.3		20	1	4	1	1	1	~1,8m	4	-	2	4	-	-	4	8
1170454	BK296.3FA		20	1	4	1	1	1	~1,8m	4	1	2	4	-	-	4	8
1170455	BK296.3		20	1	4	1	1	1	~1,8m	4	1	2	4	-	-	4	8
1170456	BK316.3FA		20	1	4	1	1	1	~1,8m	4	1	2	4	-	-	4	8
1170457	BK316.3		20	1	4	1	1	1	~1,8m	4	1	2	4	-	-	4	8
1171112	EKGC 16155		20	1	4	-	-	-	~1,5m	4	-	2	4	-	-	4	8
1171113	EKGC 36155		20	1	4	-	-	-	~1,5m	4	-	2	4	-	-	4	8
1171142	BK3165.4F		20	1	4	1	1	1	~1,8m	4	1	2	4	-	-	4	8
1171143	BK3165.2F		20	1	4	1	1	1	~1,8m	4	1	2	4	-	-	4	8
1171144	BK3165.4AA		20	1	4	1	1	1	~1,8m	4	1	2	4	-	-	4	8
1171145	BK3165.4		20	1	4	1	1	1	~1,8m	4	1	2	4	-	-	4	8
1171146	BK2665.4		20	1	4	1	1	1	~1,6m	4	1	2	4	-	-	4	8
1171147	BK2265.4		20	1	4	-	-	-	~1,5m	4	-	2	4	-	-	4	8
1171174	BK3167.3		20	1	4	1	1	1	~1,8m	4	1	2	4	-	-	4	8
1171175	BK3167.3FA		20	1	4	1	1	1	~1,8m	4	1	2	4	-	-	4	8
1171186	EKGC16156		20	1	4	-	-	-	~1,5m	4	-	2	4	-	-	4	8
1171247	BK3185.4DFVCAA/EKGC387600/BC 1772 AFD		20	1	4	1	1	1	~1,8m	4	1	2	4	1	1	4	8
1171248	BK318.3V		20	1	4	1	1	1	~1,8m	4	1	2	4	1	1	4	8
1171253	BK3185.4NFVC/BC 1771 AF		20	1	4	1	1	1	~1,8m	4	1	2	4	1	1	4	8
1171254	BK3185.4NFVCAA/BC 1772 BF		20	1	4	1	1	1	~1,8m	4	1	2	4	1	1	4	8
1171281	BK3160.3		20	1	4	1	1	1	~1,8m	4	1	2	4	-	-	4	8
1171359	EKSS 361 200		14	1	4	1	1	1	~1m	2	-	2	2	-	-	2	4
1171403	EKGCs 387 200		20	1	4	1	1	1	~1,8m	4	1	2	4	1	1	4	8
1171420	BK3195.4NFVC		20	1	4	1	1	1	~1,8m	4	1	2	4	1	1	4	8

1171429	EKGCS385900	20	1	4	1	1	1	~1,6m	4	1	2	4	-	-	4	8
1171430	EDTS372900	20	1	-	-	-	-	~1,5m	4	-	2	4	-	-	4	8
1171432	EDTS374900	20	1	-	-	-	-	~1,5m	4	-	2	4	-	-	4	8
1171456	BK3195.4NFVC	20	1	4	1	1	1	~1,8m	4	1	2	4	1	1	4	8
1190287	BK3165.8F STUDIO	20	1	4	1	1	1	~1,8m	4	1	2	4	-	-	4	8
1190448	BK3165.8K	20	1	4	1	1	1	~1,8m	4	1	2	4	-	-	4	8
1190493	BK2963FA	20	1	4	1	1	1	~1,8m	4	1	2	4	-	-	4	8
1190495	BK3163	20	1	4	1	1	1	~1,8m	4	1	2	4	-	-	4	8
1190496	BC2763	20	1	4	1	1	1	~1,8m	4	-	2	4	-	-	4	8
1190497	BZ2263	20	1	4	1	1	1	~1,8m	4	-	2	4	-	-	4	8
1190498	BK3163FA	20	1	4	1	1	1	~1,8m	4	1	2	4	-	-	4	8
1190499	BK2963	20	1	4	1	1	1	~1,8m	4	1	2	4	-	-	4	8
1190516	BK3235.4DFOMAA	20	1	4	1	1	1	~1,8m	4	1	2	4	1	1	4	8
1190517	BK3235.4DFOM	20	1	4	1	1	1	~1,8m	4	1	2	4	1	1	4	8
1190603	EKGCS 387 950	20	1	4	1	1	1	~1,8m	4	1	2	4	1	1	4	8
1190606	BK347.3NF	20	1	4	1	1	1	~2m	4	1	2	4	1	1	4	8
1190621	EKGCS 387 900	20	1	4	1	1	1	~1,8m	4	1	2	4	-	-	4	8
1190684	BK3235.4DFOM	20	1	4	1	1	1	~1,8m	4	1	2	4	1	1	4	8
1190707	BK3045.4 NF	20	1	4	1	1	1	~1,8m	4	1	2	4	1	1	4	8
1190713	BK347.4NFC	20	1	4	1	1	1	~2m	4	1	2	4	1	1	4	8
1190717	BZ226.3	20	1	4	1	1	1	~1,8m	4	-	2	4	-	-	4	8
1190718	BC276.3	20	1	4	1	1	1	~1,8m	4	-	2	4	-	-	4	8
1190728	BK3055. 6 NFMAA	20	1	4	1	1	1	~1,8m	4	1	2	4	1	1	4	8
1190729	BK3055.6 NFM	20	1	4	1	1	1	~1,8m	4	1	2	4	1	1	4	8
1190730	BK3055.6NF	20	1	4	1	1	1	~1,8m	4	1	2	4	1	1	4	8
1190947	EKGCS 387 920	20	1	4	1	1	1	~1,8m	4	1	2	4	-	-	4	8
1191008	BK333.2U	20	1	4	1	1	1	~1,8m	4	1	2	4	-	-	4	8
1191009	BK303.2U	20	1	4	1	1	1	~1,8m	4	1	2	4	-	-	4	8
1191010	BK333.0U	20	1	4	1	1	1	~1,8m	4	1	2	4	-	-	4	8
1191011	BK303.0U	20	1	4	1	1	1	~1,8m	4	1	2	4	-	-	4	8
1191012	BK306.0N	20	1	4	1	1	1	~1,8m	4	1	2	4	-	-	4	8
1191013	BK307.0NFZC	20	1	4	1	1	1	~1,8m	4	1	2	4	1	1	4	8
1191014	BK307.2NFZC	20	1	4	1	1	1	~1,8m	4	1	2	4	1	1	4	8
1191210	EKSS 362 210	14	1	4	1	1	1	~1,3m	2	-	2	2	-	-	2	4

1191212	EKSS 362 220	14	1	4	1	1	1	~1,3m	2	-	2	2	-	-	2	4
1191214	EKSS 352 210	14	1	4	1	1	1	~1,3m	2	-	2	2	-	-	2	4
1191216	EKSS 352 220	14	1	4	1	1	1	~1,3m	2	-	2	2	-	-	2	4
1191276	BK3265.4UAA	20	1	4	1	1	1	~1,8m	4	1	2	4	-	-	4	8
1191277	BK3265.4U	20	1	4	1	1	1	~1,8m	4	1	2	4	-	-	4	8
1191279	BK3295.4NFVCZM	20	1	4	1	1	1	~1,8m	4	1	2	4	1	1	4	8
1191280	EKSS 357 200	20	1	4	1	1	1	~1,8m	4	-	2	4	-	-	4	8
1191281	EKSS 361 210	14	1	4	1	1	1	~1m	2	-	2	2	-	-	2	4
1191290	EKSS 351 210	14	1	4	1	1	1	~1m	2	-	2	2	-	-	2	4
1191298	BK318.3FVC	20	1	4	1	1	1	~1,8m	4	1	2	4	1	1	4	8
1191356	361746	14	1	4	1	1	1	~1,3m	2	-	2	2	-	-	2	4
1191357	361756	14	1	4	1	1	1	~1,3m	2	-	2	2	-	-	2	4
1191358	361716	12	1	-	-	-	-	~0,9m	2	-	2	2	-	-	2	4
1191359	361726	12	1	-	-	-	-	~0,9m	2	-	2	2	-	-	2	4
1191360	361766	20	1	-	-	-	-	~1,5m	4	-	2	4	-	-	4	8
1191361	361776	20	1	4	-	-	-	~1,5m	4	-	2	4	-	-	4	8
1191758	BK3085.6NFM STUDIO	20	1	4	1	1	1	~1,8m	4	1	2	4	1	1	4	8
1191821	BC2835.4DCV	20	1	4	1	1	1	~1,8m	4	-	2	4	-	-	4	8
1191820	BZ2385.4DF	20	1	4	1	1	1	~1,8m	4	-	2	4	-	-	4	8
1171247	BK3005.6DFVCM	20	1	4	1	1	1	~1,8m	4	1	2	4	1	1	4	8
1191822	BC211.4	14	1	4	1	1	1	~1,3m	2	-	2	2	-	-	2	4
1191825	BC137.4	12	1	-	-	-	-	~0,9m	2	-	2	2	-	-	2	4
1191826	BZ138.4	12	1	-	-	-	-	~0,9m	2	-	2	2	-	-	2	4
1191823	BM210.4	14	1	4	1	1	1	~1,3m	2	-	2	2	-	-	2	4
1191824	BZ209.4	14	1	4	1	1	1	~1,3m	2	-	2	2	-	-	2	4
1191918	BK2963FA/2	20	1	4	1	1	1	~1,8m	4	1	2	4	-	-	4	8
1191919	BK3163FA/2	20	1	4	1	1	1	~1,8m	4	1	2	4	-	-	4	8
1193155	BK313.3	20	1	4	1	1	1	~1,8m	4	1	2	4	-	-	4	8
1193159	BK316.3FNA	20	1	4	1	1	1	~1,8m	4	1	2	4	-	-	4	8
1193138	UC276.3	20	1	4	1	1	1	~1,8m	4	-	2	4	-	-	4	8
1193137	FZ226.3	20	1	4	1	1	1	~1,8m	4	-	2	4	-	-	4	8
1193173	BK3205.8FN STUDIO / EKGCS 387 925	20	1	4	1	1	1	~1,8m	4	1	2	4	-	-	4	8
1193151	BZ2263/2	20	1	4	1	1	1	~1,8m	4	-	2	4	-	-	4	8
1193150	BC2763/2	20	1	4	1	1	1	~1,8m	4	-	2	4	-	-	4	8

