

**Serie | 8, built-in oven, 60 x 60 cm,  
White  
HBG634BW1**



**Included accessories**

1 x enamel baking tray  
1 x combination grid  
1 x universal pan

**Optional accessories**

HEZ327000 : Pizza stone  
HEZ638300 : 3 level telescopic rails, full ext

**The built-in oven: you get perfect baking  
and roasting results.**

**Technical data**

Color / Material Front : White  
Built-in / Free-standing : Built-in  
Integrated Cleaning system : catalytic partial, Hydrolytic  
Required niche size for installation (HxWxD) : 585-595 x 560-568 x 550 mm  
Dimensions : 595 x 594 x 548 mm  
Dimensions of the packed product (HxWxD) : 670 x 680 x 670 mm  
Control Panel Material : Glass  
Door Material : Glass  
Net weight : 34.7 kg  
Usable volume of cavity : 71 l  
Cooking method : 4D hot air, Bottom heat, Conventional heat, Defrost, Full width grill, Half width grill, Hot Air-Eco, Hot air grilling, low temperature cooking, Pizza setting, pre-heating, warming  
Number of interior lights : 1  
Approval certificates : CE, VDE  
Length electrical supply cord : 120 cm  
Interior Lights - cavity 1 : 1  
Pull-out system : Accessory  
Clock function : Alarm, Off, On  
Included accessories : 1 x enamel baking tray, 1 x combination grid, 1 x universal pan  
Broil Element Wattages Cavity 1 : 2800 W  
Convection Element Wattages Cavity 1 : 2200 W  
Energy efficiency rating : A+  
Energy consumption per cycle conventional (2010/30/EC) : 0.87 kWh/cycle  
Energy consumption per cycle forced air convection (2010/30/EC) : 0.69 kWh/cycle  
Energy efficiency index (2010/30/EC) : 81.2 %  
Connection Rating : 3600 W  
Fuse protection : 16 A  
Voltage : 220-240 V  
Frequency : 60; 50 Hz  
Plug type : Gardy plug w/ earthing  
Color / Material Front : White  
Alternative colors available : HBG634BB1, HBG634BS1  
Energy input : Electric  
Approval certificates : CE, VDE  
Required cutout/niche size for installation (in) : x x  
Dimensions of the packed product : 26.37 x 26.37 x 26.77  
Net weight : 77.000 lbs  
Gross weight : 82.000 lbs  
Length electrical supply cord : 120 cm  
Net weight : 34.7 kg  
Gross weight : 37.1 kg



## Serie | 8, built-in oven, 60 x 60 cm, White HBG634BW1

**The built-in oven: you get perfect baking and roasting results.**

---

### **Programmes/ Additional Features:**

- 13 heating methods: 4D hot air, Hot Air-Eco, Top and bottom heating, Top and bottom heating Eco, Hot air grilling, Radiant grill large area, Radiant grill small area, Pizza setting, Bottom heat, Slow cooking, Defrost setting, Plate warming, Keep warm
- Cavity volume: 71L

### **Design:**

#### **Key Features:**

- ecoClean® Plus: back panel

### **Design:**

- IC6\_CBO\_61
- Door hinge: bottom, softClose door, softOpen door
- Electronic clock
- Rapid heating-up
- Halogen interior lighting, Switch for oven illumination
- Enamel cavity

### **Hook-in racks / rails**

#### **Accessory:**

- 1 x universal pan, 1 x combination grid, 1 x enamel baking tray

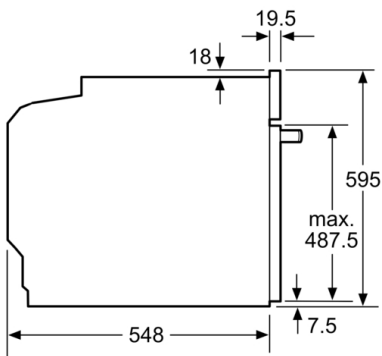
#### **Safety:**

- Childproof lock Automatic switch off Residual heat indicator Start button door contact switch

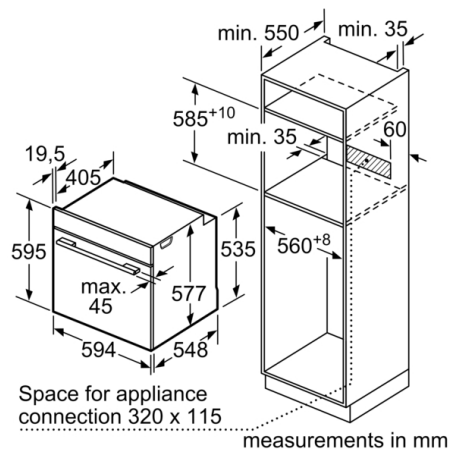
#### **Technical Information:**

- Length of mains cable: 120 cm
- Total connected load: 3.6kW
- 595 mm x 594 mm x 548 mm
- 595 mm x 594 mm x 548 mm
- Please reference the built-in dimensions provided in the installation drawing

**Serie | 8, built-in oven, 60 x 60 cm, White  
HBG634BW1**



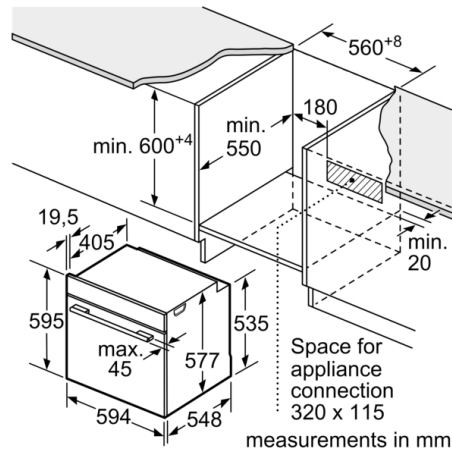
measurements in mm



measurements in mm

If the appliance will be installed underneath a hob, the following worktop thicknesses (including substructure if necessary) must be taken into account.

Hob type	min. worktop thickness	
	fitted	flush
Induction hob	37 mm	38 mm
Full surface Induction hob	47 mm	48 mm
Gas hob	30 mm	38 mm
Electric hob	27 mm	30 mm



measurements in mm