

Serie | 8, Built-in Oven, 60 x 60 cm HBG634BS1



Included accessories

1 x enamel baking tray
1 x combination grid
1 x universal pan

- **4D Hot Air:** even heat distribution for perfect results – on any level.
- **Cleaning Assistance:** less cleaning effort thanks to the new cleaning option, which can be especially used for cleaning of light soiling.
- **EcoClean Direct:** almost no cleaning is necessary thanks to a special coating of the rear wall that automatically absorbs grime.
- **TFT display control:** easy-to-use thanks to the control ring with full text and symbols.
- **Drop Down door with SoftOpen and SoftClose:** the oven door opens and closes gently and quietly

Technical data

Built-in / Free-standing : Built-in

Integrated Cleaning system : catalytic partial, Hydrolytic

Required niche size for installation (HxWxD) : 585-595 x 560-568 x 550 mm

Dimensions : 595 x 594 x 548 mm

Dimensions of the packed product (HxWxD) : 670 x 680 x 670 mm

Control Panel Material : Stainless steel

Door Material : Glass

Net weight : 35.2 kg

Usable volume of cavity : 71 l

Cooking method : 4D hot air, Bottom heat, Conventional heat, Defrost, Full width grill, Half width grill, Hot Air-Eco, Hot air grilling, low temperature cooking, Pizza setting, pre-heating, warming

Number of interior lights : 1

Approval certificates : CE, VDE

Length electrical supply cord : 120 cm

Interior Lights - cavity 1 : 1

Pull-out system : Accessory

Clock function : Alarm, Off, On

Included accessories : 1 x enamel baking tray, 1 x combination grid, 1 x universal pan

Broil Element Wattages cavity 1 : 2800 W

Convection Element Wattages cavity 1 : 2200 W

Energy efficiency rating : A+

Energy consumption per cycle conventional (2010/30/EC) : 0.87 kWh/cycle

Energy consumption per cycle forced air convection (2010/30/EC) : 0.69 kWh/cycle

Energy efficiency index (2010/30/EC) : 81.2 %

Connection Rating : 3600 W

Fuse protection : 16 A

Voltage : 220-240 V

Frequency : 50; 60 Hz

Plug type : GARDY plug w/ earthing

Alternative colors available : HBG634BB1, HBG634BW1

Energy input : Electric

Approval certificates : CE, VDE

Required cutout/niche size for installation (in) : x x

Dimensions of the packed product : 26.37 x 26.37 x 26.77

Net weight : 78.000 lbs

Gross weight : 83.000 lbs

Length electrical supply cord : 120 cm

Net weight : 35.2 kg

Gross weight : 37.6 kg



4 242002 789019

Serie | 8, Built-in Oven, 60 x 60 cm HBG634BS1

Type of oven / heating system:

- Oven with 13 heating methods:
4D hot air, Hot Air-Eco, Conventional top and bottom heat, Conventional heat ECO, Hot air grilling, Variable full width grill, Half width grill, Pizza setting, Bottom heat, low temperature cooking, Defrost setting, Plate warming, Hold warm
- Cavity volume: 71 l

Cleaning:

- Ecolyse features: back panel
- Drop down door, soft closing, soft opening
- Electronic clock
- Rapid heating-up
- Halogen interior lighting, Switch for oven illumination

Accessory:

- 1 x universal pan, 1 x combination grid, 1 x enamel baking tray

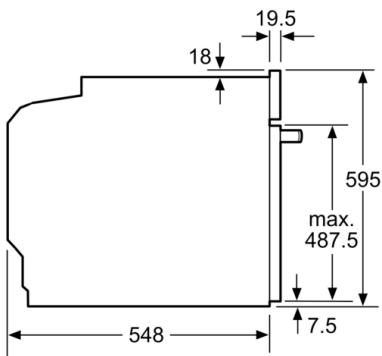
Comfort and Safety:

- Safety lock
Automatic safety shut off
residual heat indicator
start button
door contact switch

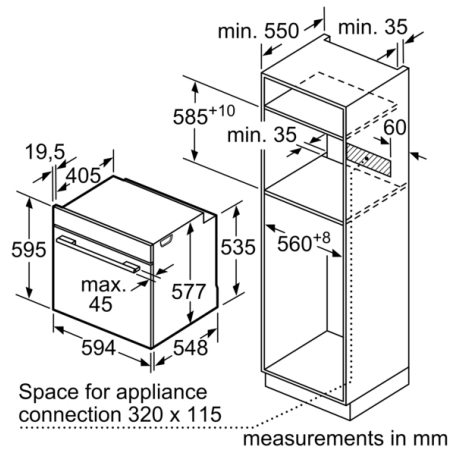
Technical Info:

- Length of mains cable: 120 cm
- Total connected load electric: 3.6 KW
- Appliance dimension (hxwxh): 595 mm x 594 mm x 548 mm
- Niche dimension (hxwxh): 560 mm - 568 mm x 585 mm - 595 mm x 550 mm
- "Please reference the built-in dimensions provided in the installation drawing"
- Nominal voltage: 220 - 240 V
- Full glass inner door
- Bar handle
- Maximum window temperature 40° C
- Energy efficiency rating (acc. EU Nr. 65/2014): A+
Energy consumption per cycle in conventional mode: 0.87 kWh
Energy consumption per cycle in fan-forced convection mode: 0.69 kWh
Number of cavities: 1
Heat source: electrical
Cavity volume: 71 l
- We recommend you to choose complementary products within SER8, in order to assure an optimal design combination of your Built-In appliances.
- Temperature range 30 °C - 300 °C
- Number of shelf levels: 5 PC
- Cavity inner surface: enamel anthracite

**Serie | 8, Built-in Oven, 60 x 60 cm
HBG634BS1**



measurements in mm

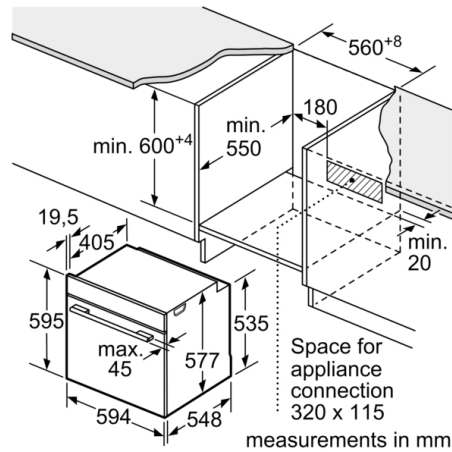


Space for appliance connection 320 x 115

measurements in mm

If the appliance will be installed underneath a hob, the following worktop thicknesses (including substructure if necessary) must be taken into account.

Hob type	min. worktop thickness	
	fitted	flush
Induction hob	37 mm	38 mm
Full surface Induction hob	47 mm	48 mm
Gas hob	30 mm	38 mm
Electric hob	27 mm	30 mm



Space for appliance connection 320 x 115

measurements in mm